

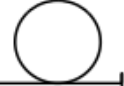
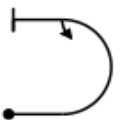
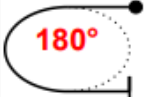
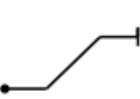

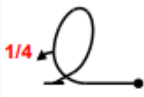






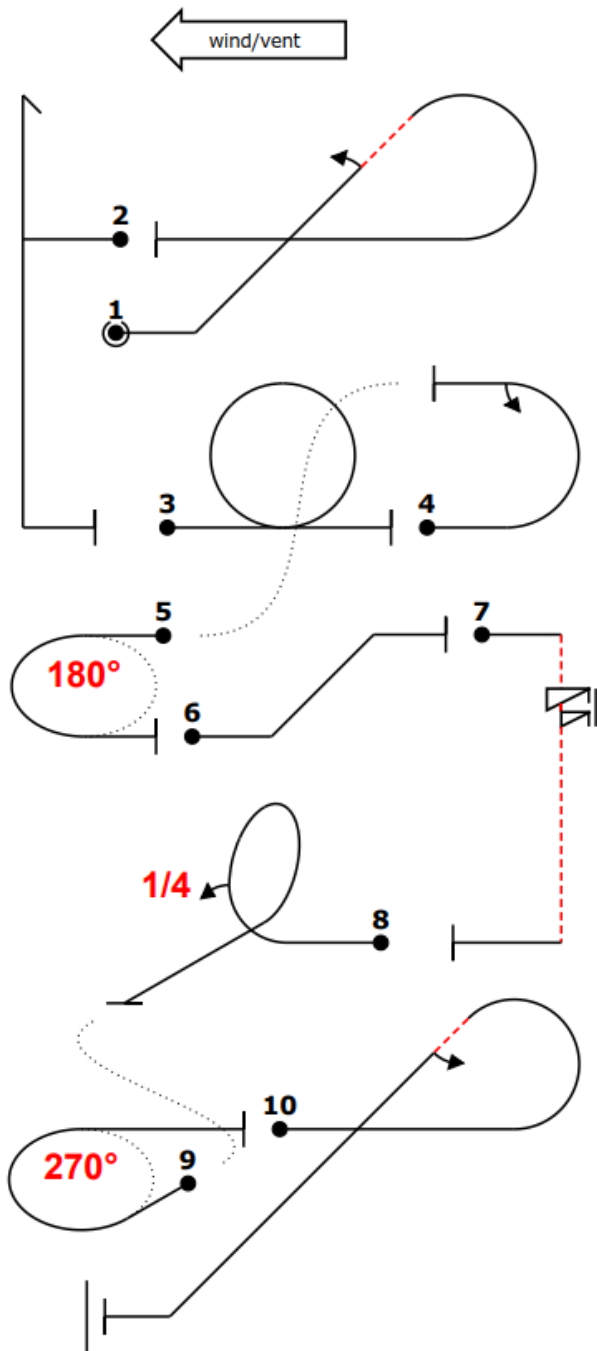
McAully Leicester 2021		Form A
Pilot ID	BAeA Power Sports Known +3	Flight #

No	Symbol	Cat. No.	K	Total K	Grade	Pos	Remarks	Item	K	Grade
1		8.5.2.1 9.1.2.2	10 6	16	.			Pos.	15	
								Harm.	0	
2		5.2.1.1	17	17	.			Fig K	Total K	
								112	127	
3		7.4.1.1	10	10	.			Penalties		
								Too Low		
								Too High		
								Interruptions		
								Insertions		
								Trg Violation		
								Wing Rocks		
Disqual Fig										
4		7.2.2.1 9.1.3.2	6 4	10	.			Other(note...)		
5		2.2.1.1	4	4	.			Final Freestyle		
								Duration	Min	Sec
6		1.1.2.1	7	7	.			Judges Details		
								Signature		
7		1.1.6.3 9.11.1.6	10 3	13	.			Name		
								Number		
8		0.1	16	16	.			Pilot name:		
								Aircraft type:		
9		2.3.1.1	5	5	.			Aircraft Registration:		
10		8.5.6.1 9.1.4.2	10 4	14	.					

10						
11						
12						

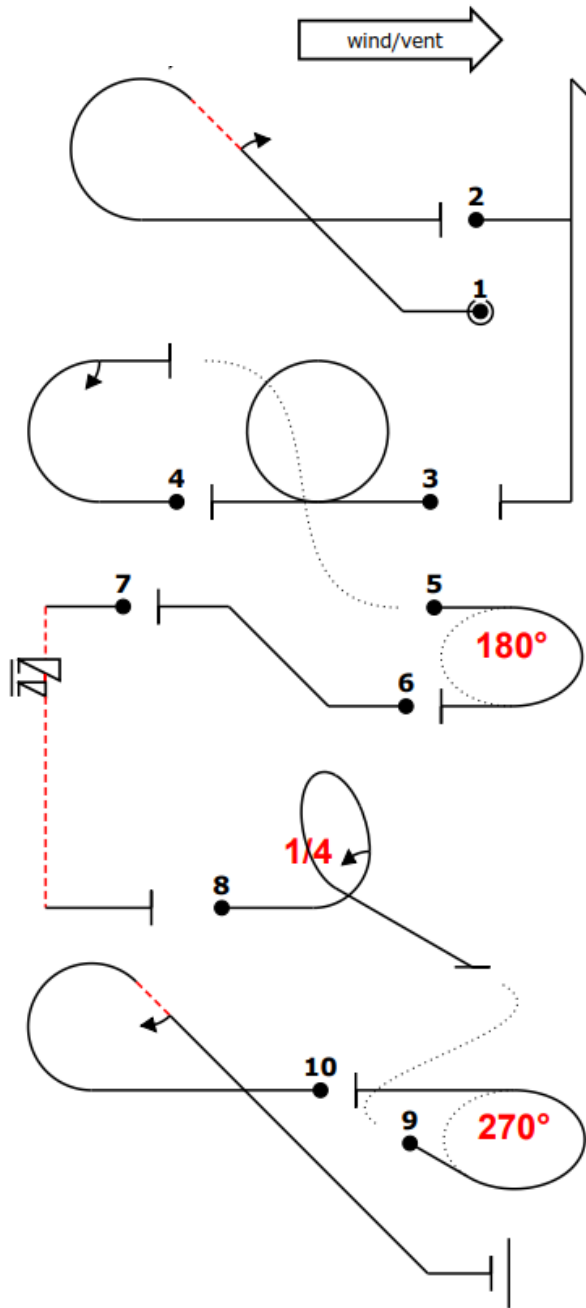
McAully Leicester 2021

Judging Form 'B'



Your extra 3 McAully figures (total = 30K)

Fig: 10	Fig: 11	Fig: 12
Aresti items:		
K-factors:		
Figure K:		



Your extra 3 McAully figures (total = 30K)

Fig: 10	Fig: 11	Fig: 12
Aresti items:		
K-factors:		
Figure K:		