
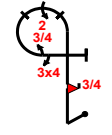
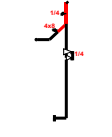

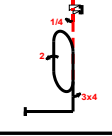
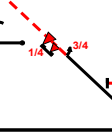
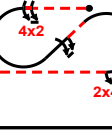
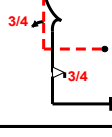
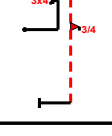
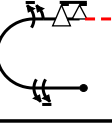



# BAeA Unlimited Default Free Known

			2021							Form A	
			Pilot ID							Flight #	
			CIVA Unlimited Free Known								
No	Symbol	Cat. No.	K	Total K	Grade	Pos	Remarks	Item	K	Grade	
1		8.6.1.1 9.10.6.3 9.2.3.4 9.1.3.3 9.4.3.3	11 19 9 6 8	Fig A 53	.			Pos.	40		
								Harm.	0		
2		5.3.2.1 9.8.2.2 9.1.1.1 9.9.5.5	24 9 6 13	Fig E 52	.			Fig K	Total K		
								450	490		
3		1.3.12.1 9.10.4.6 9.1.4.8	21 16 12	49	.			<b>Penalties</b>			
								Too Low			
4		8.8.8.3 9.11.1.6 9.1.5.1 9.2.1.4 9.4.5.3	19 3 2 13 8	45	.			Too High			
								Interruptions			
5		1.3.11.1 9.1.1.4 9.10.4.5 9.1.4.3	20 12 15 6	Fig B 53	.			Insertions			
								Trg Violation			
6		7.5.7.4 9.2.3.8 9.1.2.6 9.4.3.2	15 15 12 5	47	.			Wing Rocks			
								Disqual Fig			
7		6.2.1.4 9.1.1.3 9.9.5.3	17 10 11	Fig C 38	.			Other(note...)			
								<b>Final Freestyle</b>			
8		8.4.3.1 9.4.1.3 9.10.5.3	15 12 13	40	.			Duration	Min	Sec	
9		7.2.1.1 9.1.3.8 9.2.3.6 9.9.3.6	6 12 12 14	44	.			<b>Judges Details</b>			
								Signature			
10		2.2.2.4	29	Fig D 29	.			Name			
								Number			

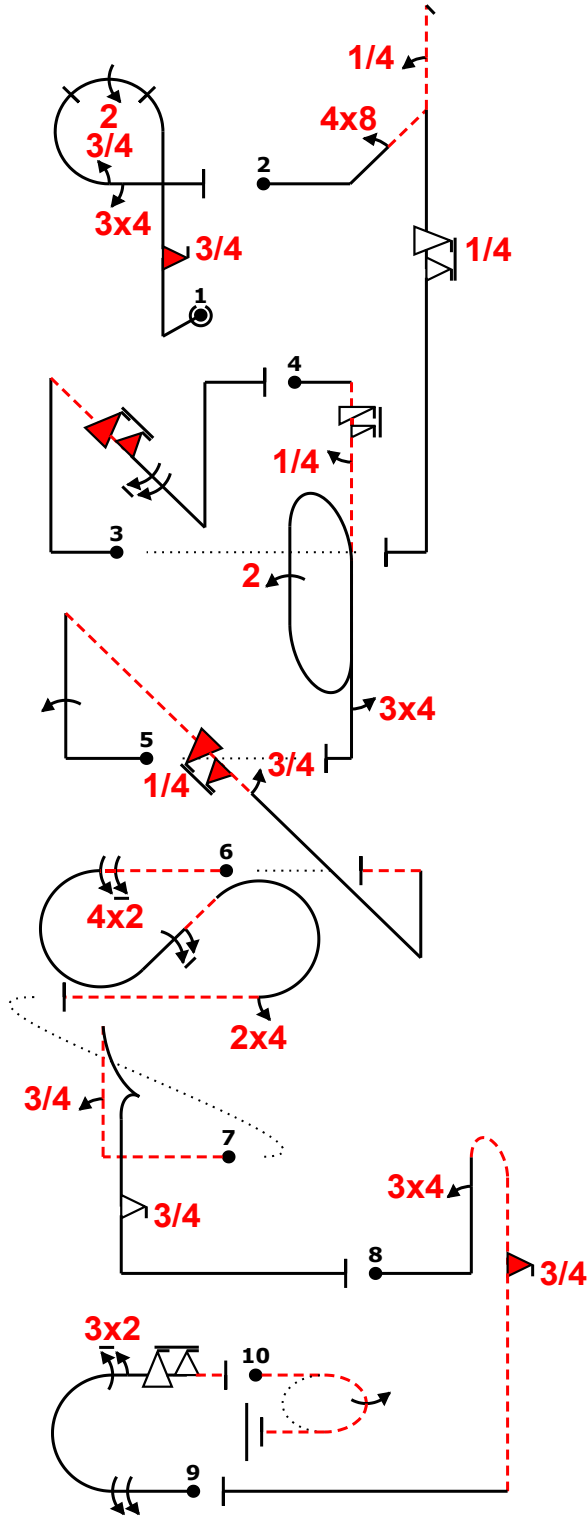
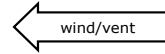
\_\_\_\_\_  
Pilot

\_\_\_\_\_  
A/C

# BAeA Unlimited Default Free Known

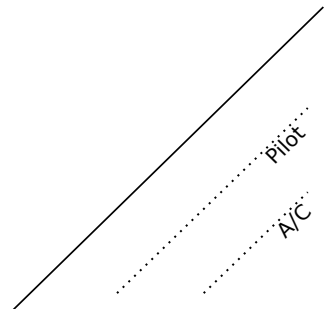


2021		Form B
Pilot ID	CIVA Unlimited Free Known	Flight #



Power			
Fig	Aresti	K	
1 A	8.6.1.1	11	53
	9.10.6.3	19	
	9.2.3.4	9	
	9.1.3.3	6	
	9.4.3.3	8	
2 E	5.3.2.1	24	52
	9.8.2.2	9	
	9.1.1.1	6	
	9.9.5.5	13	
3	1.3.12.1	21	49
	9.10.4.6	16	
	9.1.4.8	12	
4	8.8.8.3	19	45
	9.11.1.6	3	
	9.1.5.1	2	
	9.2.1.4	13	
	9.4.5.3	8	
5 B	1.3.11.1	20	53
	9.1.1.4	12	
	9.10.4.5	15	
	9.1.4.3	6	
6	7.5.7.4	15	47
	9.2.3.8	15	
	9.1.2.6	12	
	9.4.3.2	5	
7 C	6.2.1.4	17	38
	9.1.1.3	10	
	9.9.5.3	11	
8	8.4.3.1	15	40
	9.4.1.3	12	
	9.10.5.3	13	
9	7.2.1.1	6	44
	9.1.3.8	12	
	9.2.3.6	12	
	9.9.3.6	14	
10 D	2.2.2.4	29	29
<b>Total K = 450</b>		<b>(max K = 450)</b>	

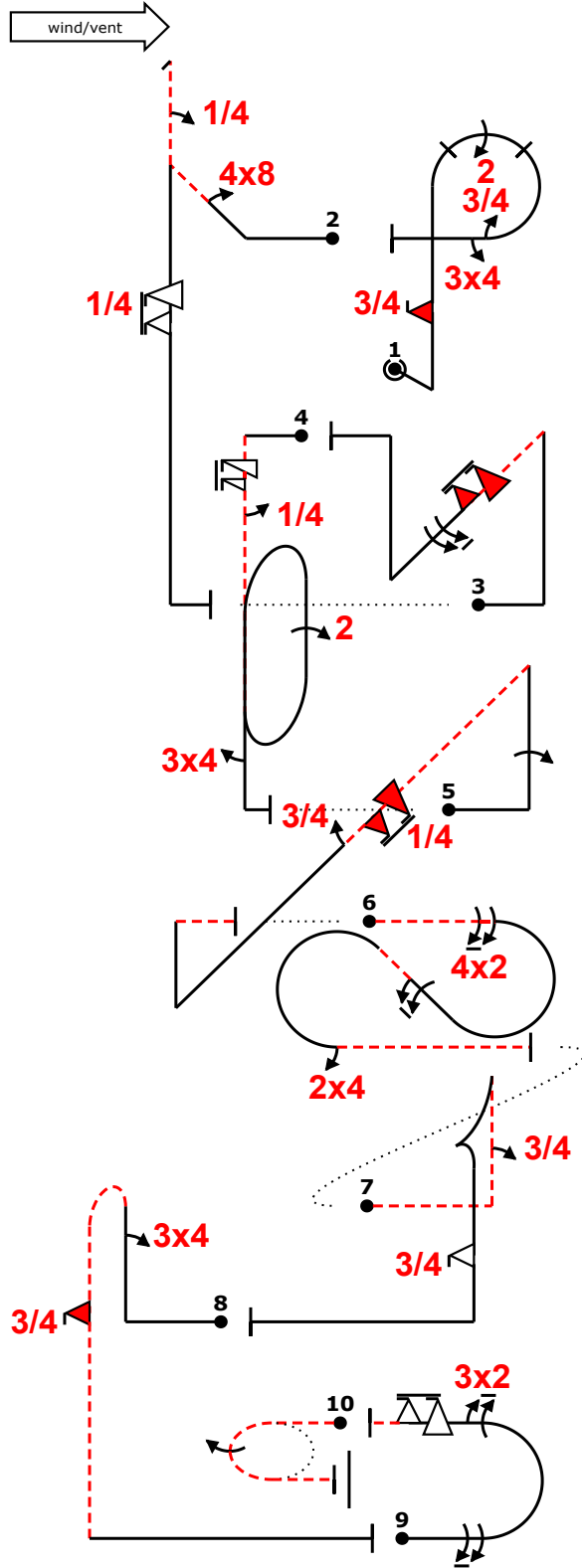
ej "@A" -1% .',3if.rp(22)3,34 "@E" 2> -1% ~48dh(4)..5f.....'+ (-14,0) 'n('6if,9) 7% /'+++'6s',4..1bb('22').'34'+  
 ~(-8,0) "@B" ~1n('5if,3.....) (-5,0) ~42iac(,6)24~ (15,11) "@C" -'3'ta''3f''++ 34pb3if.....++++ 9m32;6F~ "@D" -  
 3% ~2jo1-



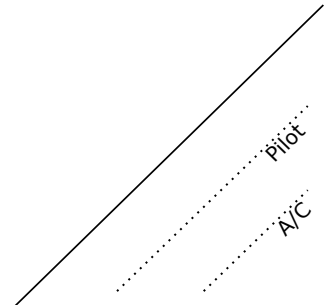
# BAeA Unlimited Default Free Known



2021		Form C
Pilot ID	CIVA Unlimited Free Known	
	Flight #	



ej "@A" -1% .',3if.rp(22)3,34 "@E" 2> -1% ~48dh(4)..5f.....'+ (-14,0) 'n('61f,9) 7% /(''+6s',4..'1bb('22'')..'34'+  
 ~(-8,0) "@0" ~1n('..51f,3.....) (-5,0) -42iac(,6)24- (15,11) "@C" -'3'ta'3f'+~ 34pb31f.....++++ 9m32;6F- "@D" -  
 3% -2jo1-



# BAeA Unlimited Default Free Known



CIVA	Unlimited	2021
Free Known		

Figure K  
**450**  
Total K  
**490**

Judges Name	
Signature	Number

Flight #	
----------	--

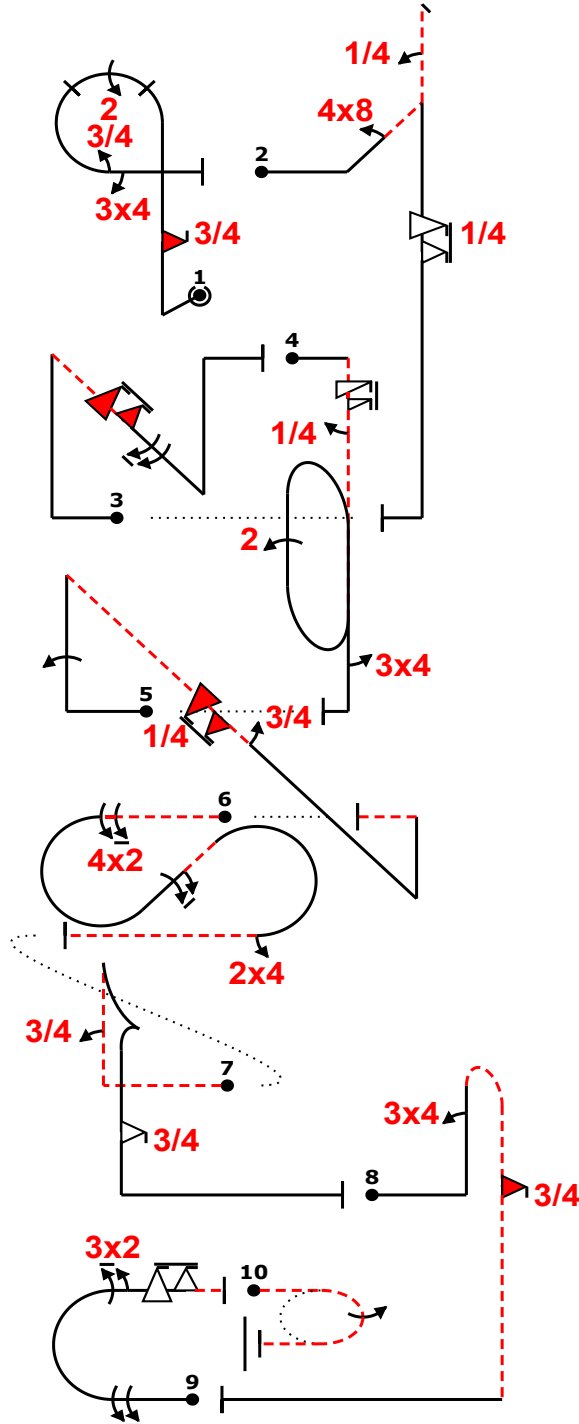
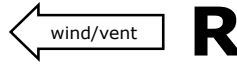


Fig	Grade	Pos	Remarks
1	.		
2	.		
3	.		
4	.		
5	.		
6	.		
7	.		
8	.		
9	.		
10	.		

Positioning  
**40**

Too Low		Trg Violation	
Too High		Wing Rocks	
Interruptions		Disqual Fig	
Insertions		Other(note...)	

ej "@A" -1% .',3if,rp(22)3,34 "@E" 2> -1% ~48dh(4)..5f.....'+ (-14,0) 'n(61f,9) 7% /'6s',4..'i  
bb(22)..'.34'+ (-8,0) "@B" ~1n(.,51f,3....) (-5,0) ~42iac,(6)24- (15,11) "@C  
"-3' ta'3f'+~ 34pb3if...'+~ 9m32;6f- "@D" -3% -2jo1-

Fig 1 A	K	Fig 2 E	K	Fig 3	K	Fig 4	K	Fig 5 B	K	Fig 6	K	Fig 7 C	K	Fig 8	K	Fig 9	K	Fig 10 D	K
8.6.1.1	11	5.3.2.1	24	1.3.12.1	21	8.8.8.3	19	1.3.11.1	20	7.5.7.4	15	6.2.1.4	17	8.4.3.1	15	7.2.1.1	6	2.2.2.4	29
9.10.6.3	19	9.8.2.2	9	9.10.4.6	16	9.11.1.6	3	9.1.1.4	12	9.2.3.8	15	9.1.1.3	10	9.4.1.3	12	9.1.3.8	12		
9.2.3.4	9	9.1.1.1	6	9.1.4.8	12	9.1.5.1	2	9.10.4.5	15	9.1.2.6	12	9.9.5.3	11	9.10.5.3	13	9.2.3.6	12		
9.1.3.3	6	9.9.5.5	13			9.2.1.4	13	9.1.4.3	6	9.4.3.2	5					9.9.3.6	14		
9.4.3.3	8					9.4.5.3	8												
	<b>53</b>		<b>52</b>		<b>49</b>		<b>45</b>		<b>53</b>		<b>47</b>		<b>38</b>		<b>40</b>		<b>44</b>		<b>29</b>

Pilot:

A/C:

# BAeA Unlimited Default Free Known



CIVA	Unlimited	2021
Free Known		

Figure K
450
Total K
490

Judges Name	
Signature	Number

Flight #

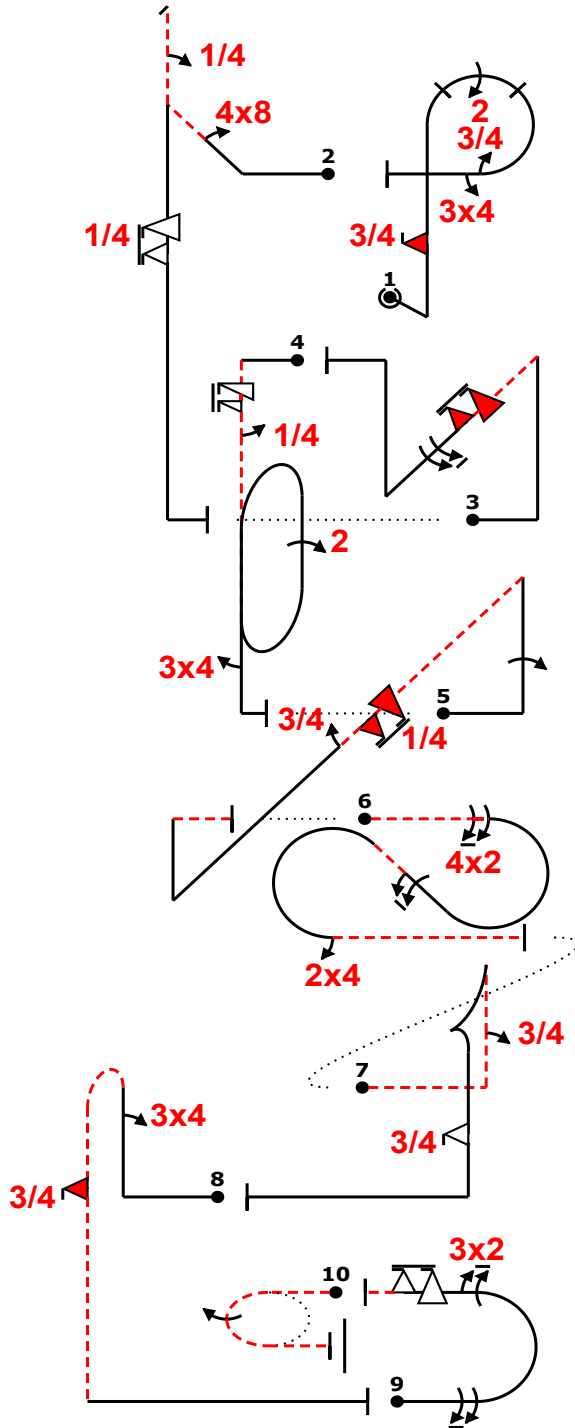
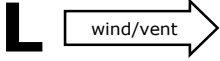


Fig	Grade	Pos	Remarks
1	.		
2	.		
3	.		
4	.		
5	.		
6	.		
7	.		
8	.		
9	.		
10	.		

Positioning	40
-------------	----

Too Low		Trg Violation	
Too High		Wing Rocks	
Interruptions		Disqual Fig	
Insertions		Other(note...)	

ej "@A" -1% .',3if,rp(22)3,34 "@E" 2> -1% ~48dh(4)..5f.....' + (-14,0) "n(61f,9) 7% /'6s',4..'i  
 bb(22)'.34'+ (-8,0) "@B" ~1n(51f,3...)  
 "-3'ta'3f'++ 34pb3if...'+++++ 9m32;6f- "@-3% -2jo1-

Fig 1 A	K	Fig 2 E	K	Fig 3	K	Fig 4	K	Fig 5 B	K	Fig 6	K	Fig 7 C	K	Fig 8	K	Fig 9	K	Fig 10 D	K
8.6.1.1	11	5.3.2.1	24	1.3.12.1	21	8.8.8.3	19	1.3.11.1	20	7.5.7.4	15	6.2.1.4	17	8.4.3.1	15	7.2.1.1	6	2.2.2.4	29
9.10.6.3	19	9.8.2.2	9	9.10.4.6	16	9.11.1.6	3	9.1.1.4	12	9.2.3.8	15	9.1.1.3	10	9.4.1.3	12	9.1.3.8	12		
9.2.3.4	9	9.1.1.1	6	9.1.4.8	12	9.1.5.1	2	9.10.4.5	15	9.1.2.6	12	9.9.5.3	11	9.10.5.3	13	9.2.3.6	12		
9.1.3.3	6	9.9.5.5	13			9.2.1.4	13	9.1.4.3	6	9.4.3.2	5					9.9.3.6	14		
9.4.3.3	8					9.4.5.3	8												
	<b>53</b>		<b>52</b>		<b>49</b>		<b>45</b>		<b>53</b>		<b>47</b>		<b>38</b>		<b>40</b>		<b>44</b>		<b>29</b>

Pilot:

A/C:

# BAeA Unlimited Default Free Known

