



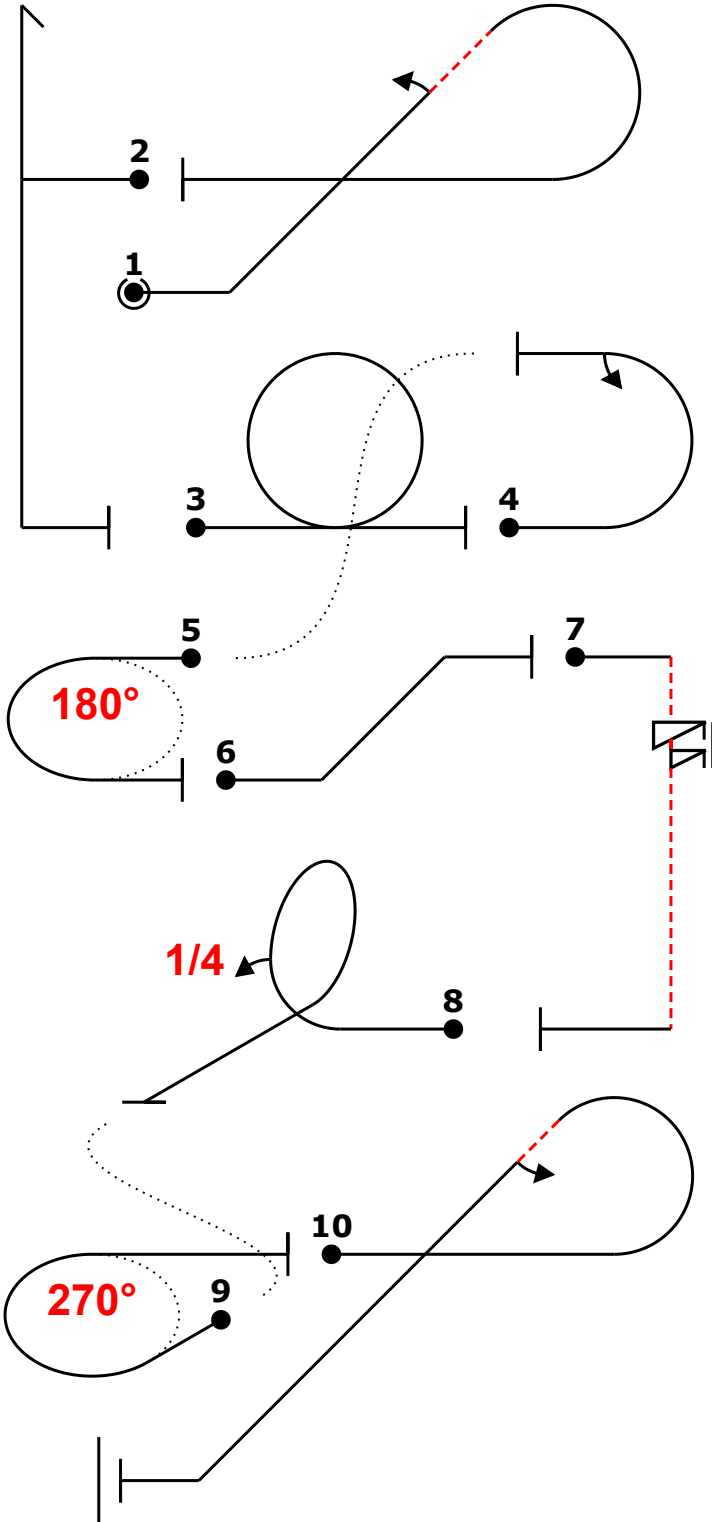
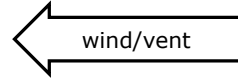
2021		Form A
Pilot ID	BAeA Sports Known	Flight #

No	Symbol	Cat. No.	K	Total K	Grade	Pos	Remarks	Item	K	Grade
1		8.5.2.1 9.1.2.2	10 6	16	.			Pos.	15	
								Harm.	0	
2		5.2.1.1	17	17	.			Fig K	Total K	
								112	127	
3		7.4.1.1	10	10	.			<b>Penalties</b>		
								Too Low		
4		7.2.2.1 9.1.3.2	6 4	10	.			Too High		
								Interruptions		
5		2.2.1.1	4	4	.			Insertions		
								Trg Violation		
6		1.1.2.1	7	7	.			Wing Rocks		
								Disqual Fig		
7		1.1.6.3 9.11.1.6	10 3	13	.			Other(note...)		
								<b>Final Freestyle</b>		
8		0.1	16	16	.			Duration	Min	Sec
9		2.3.1.1	5	5	.			<b>Judges Details</b>		
								Signature		
10		8.5.6.1 9.1.4.2	10 4	14	.			Name		
								Number		

\_\_\_\_\_ Pilot  
 ..... A/C

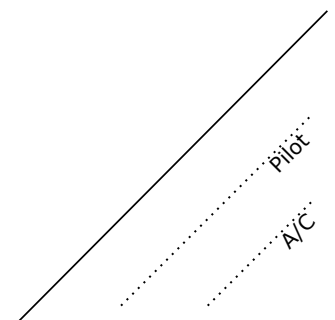


2021		Form B
Pilot ID	BAeA Sports Known	
		Flight #



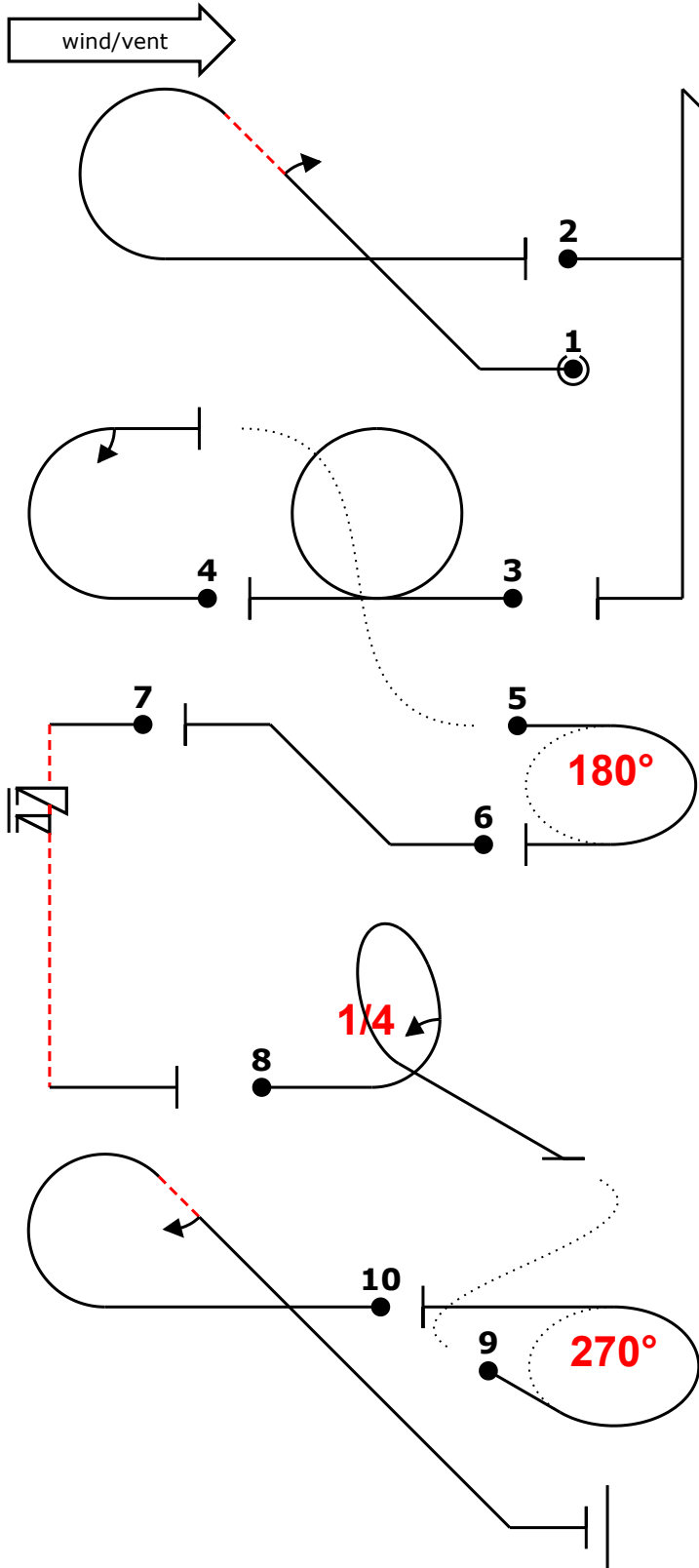
Power			
Fig	Aresti	K	
1	8.5.2.1 9.1.2.2	10 6	16
2	5.2.1.1	17	17
3	7.4.1.1	10	10
4	7.2.2.1 9.1.3.2	6 4	10
5	2.2.1.1	4	4
6	1.1.2.1	7	7
7	1.1.6.3 9.11.1.6	10 3	13
8	0.1	16	16
9	2.3.1.1	5	5
10	8.5.6.1 9.1.4.2	10 4	14
<b>Total K = 112</b>			

.2rc+ ~h...' 2> o m2 (-11,14) 2j d iv'6s...' ~ -2% 2> oj+++ (7,8) `+3j+ -1% c2....''

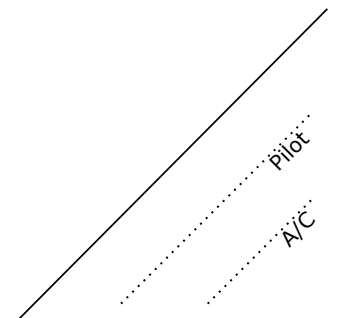




2021		Form C
Pilot ID	BAeA Sports Known	Flight #



.2rc+ ~h...' 2> o m2 (-11,14) 2j d iv'6s...'~ -2% 2> oj+++ (7,8) `+3j+ -1% c2....''





BAeA	Sports	2021
Known		

Figure K  
**112**  
Total K  
**127**

Judges Name	
Signature	Number

Flight #
----------

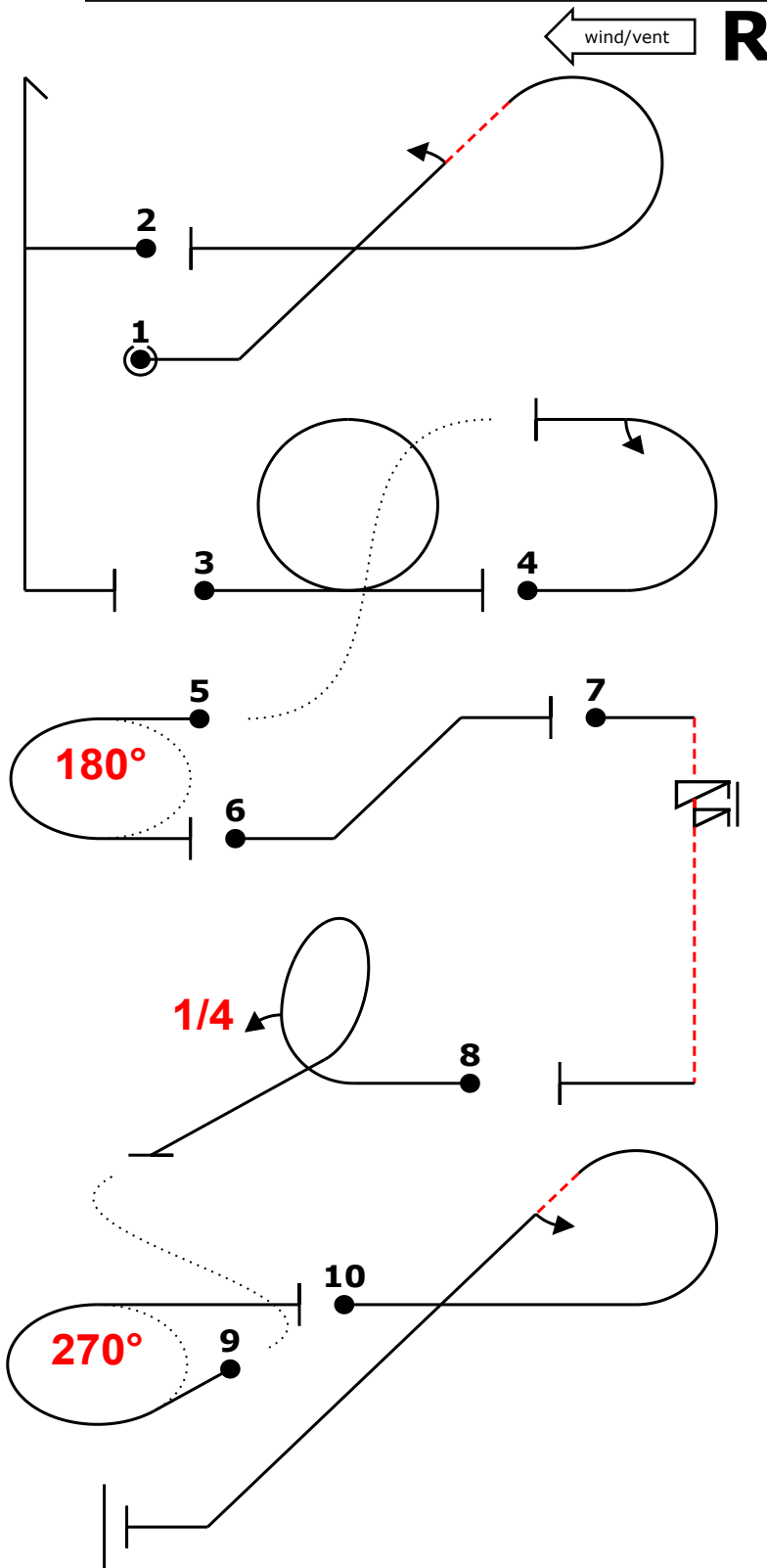


Fig	Grade	Pos	Remarks
1	.		
2	.		
3	.		
4	.		
5	.		
6	.		
7	.		
8	.		
9	.		
10	.		

Positioning  
**15**

Too Low		Trg Violation	
Too High		Wing Rocks	
Interruptions		Disqual Fig	
Insertions		Other(note...)	

.2rc+ ~h....' 2> o m2 (-11,14) 2j d iv'6s...'~ -2% 2> oj+++ (7,8) '+3j+ -1% c2.....'

Fig 1	K	Fig 2	K	Fig 3	K	Fig 4	K	Fig 5	K	Fig 6	K	Fig 7	K	Fig 8	K	Fig 9	K	Fig 10	K
8.5.2.1	10	5.2.1.1	17	7.4.1.1	10	7.2.2.1	6	2.2.1.1	4	1.1.2.1	7	1.1.6.3	10	0.1	16	2.3.1.1	5	8.5.6.1	10
9.1.2.2	6					9.1.3.2	4					9.11.1.6	3					9.1.4.2	4
	<b>16</b>		<b>17</b>		<b>10</b>		<b>10</b>		<b>4</b>		<b>7</b>		<b>13</b>		<b>16</b>		<b>5</b>		<b>14</b>

Pilot:

A/C:



BAeA	Sports	2021
Known		

Figure K  
**112**  
Total K  
**127**

Judges Name		Flight #
Signature	Number	

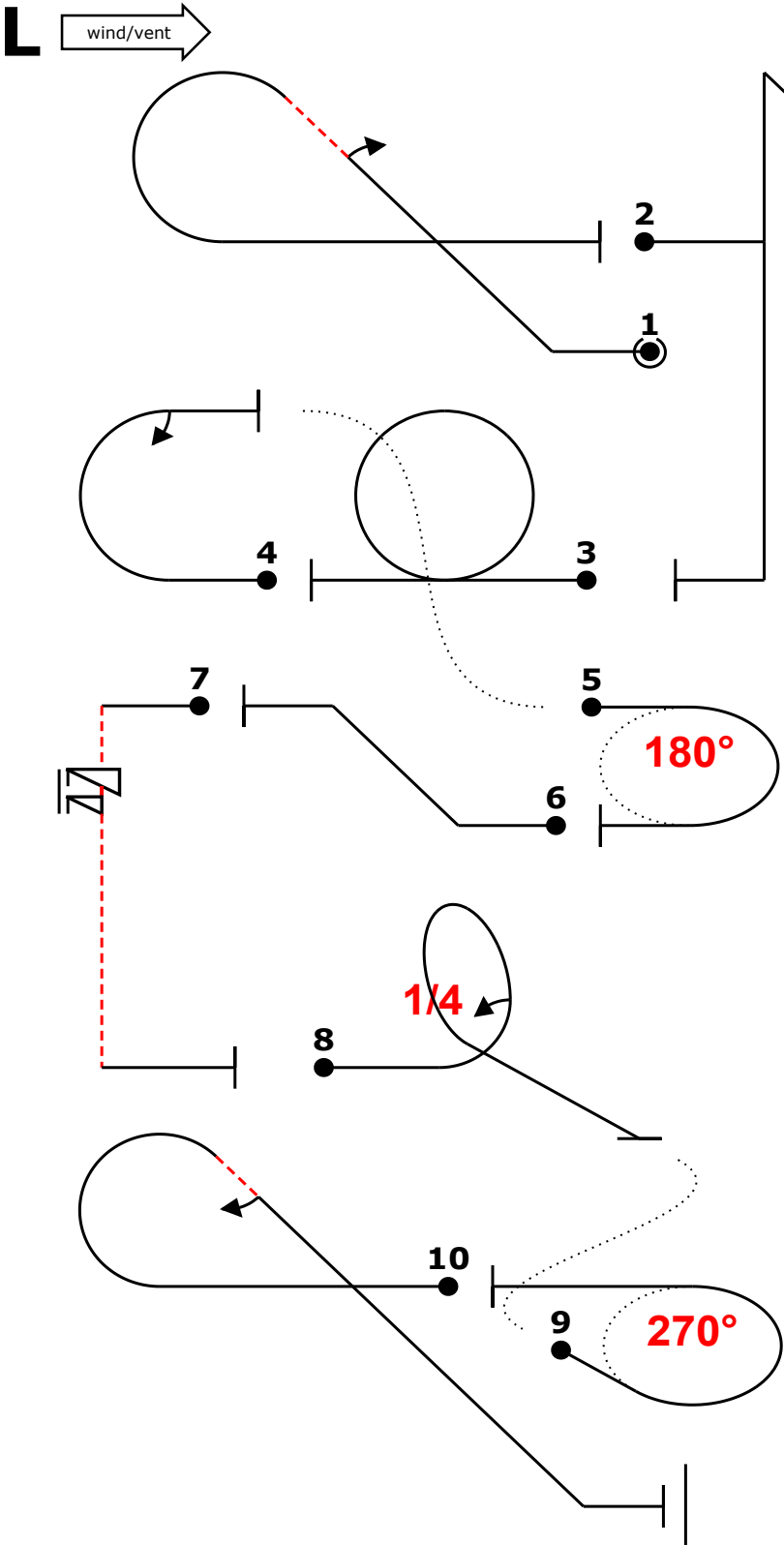


Fig	Grade	Pos	Remarks
1	.		
2	.		
3	.		
4	.		
5	.		
6	.		
7	.		
8	.		
9	.		
10	.		

Positioning  
**15**

Too Low	<input type="checkbox"/>	Trg Violation	<input type="checkbox"/>
Too High	<input type="checkbox"/>	Wing Rocks	<input type="checkbox"/>
Interruptions	<input type="checkbox"/>	Disqual Fig	<input type="checkbox"/>
Insertions	<input type="checkbox"/>	Other(note...)	<input type="checkbox"/>

..2rc+ ~h....' 2> o m2 (-11,14) 2j d iv'6s...' ~ -2% 2> oj+++ (7,8) '+3j+ -1% c2.....''

Fig 1	K	Fig 2	K	Fig 3	K	Fig 4	K	Fig 5	K	Fig 6	K	Fig 7	K	Fig 8	K	Fig 9	K	Fig 10	K
8.5.2.1	10	5.2.1.1	17	7.4.1.1	10	7.2.2.1	6	2.2.1.1	4	1.1.2.1	7	1.1.6.3	10	0.1	16	2.3.1.1	5	8.5.6.1	10
9.1.2.2	6					9.1.3.2	4					9.11.1.6	3					9.1.4.2	4
	<b>16</b>		<b>17</b>		<b>10</b>		<b>10</b>		<b>4</b>		<b>7</b>		<b>13</b>		<b>16</b>		<b>5</b>		<b>14</b>

Pilot:

A/C:

