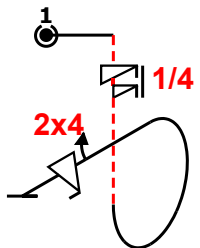
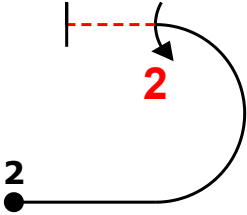
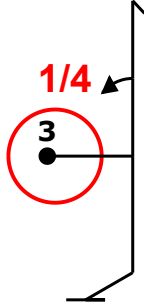
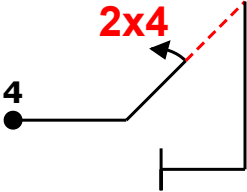
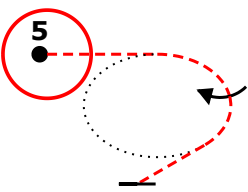




2021

CIVA Intermediate Free Known

Yak-52/Intermediate Total K 105

 <p>Fig A 8.6.4.3(13) 9.11.1.5(4) 9.4.3.2(5) 9.9.3.4(11) K: 33</p>	 <p>Fig B 7.2.1.1(6) 9.2.3.4(9) K: 15</p>	 <p>Fig C 5.2.1.1(17) 9.1.1.1(6) K: 23</p>	 <p>Fig D 1.2.3.1(12) 9.4.2.2(7) K: 19</p>	 <p>Fig E 2.1.3.2(15) K: 15</p>
---	--	---	--	--