



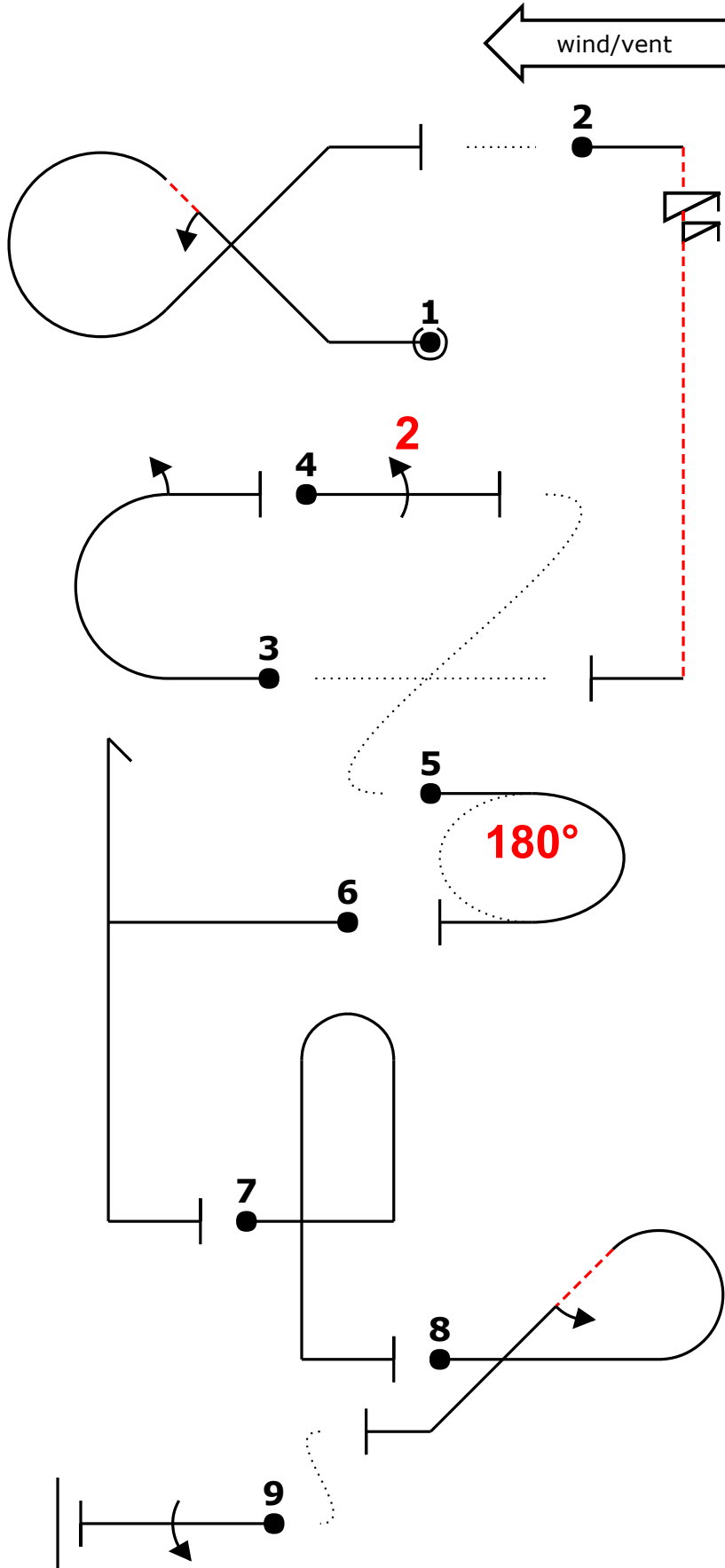
Form A	
Pilot ID	<div style="text-align: center; font-weight: bold; font-size: 1.2em;">BAeA Sports Known</div>
Flight #	

No	Symbol	Cat. No.	K	Total K	Marks	Remarks	Pos	Item	K	Grade
1		7.3.2.1 9.1.2.2	14 6	20				Pos.	15	
2		1.1.6.3 9.11.1.6	10 3	13				Fig K		Total K
								112		127
								Penalties		
3		7.2.2.1 9.1.3.2	6 4	10				Too Low		
								Too High		
								Interruptions		
								Insertions		
4		1.1.1.1 9.2.3.4	2 9	11				Trg Violation		
								Wing Rocks		
								Disqual Fig		
								Other(note...)		
5		2.2.1.1	4	4				Final Freestyle		
								Duration	Min	Sec
								Judges Details		
6		5.2.1.1	17	17				Signature		
								Name		
7		8.4.1.1	13	13				Number		
8		8.5.6.1 9.1.4.2	10 4	14						
9		1.1.1.1 9.1.3.4	2 8	10						

_____ Pilot
 A/C



		Form B
Pilot ID	BAeA Sports Known	Flight #



— Pilot
..... A/C



		Form C
Pilot ID	BAeA Sports Known	Flight #

